

GRABER. | DELIGHT IN
EVERY DETAIL

Graber Sheer Shades
US Price Guide

January 2026

SHEER SHADES

Product Information Guide

Features

Sheer Shades	2
Fabric Styles and Information	3 – 4
Light Control and Privacy, Fabric Recommendations, Light Gap, Fabric Disclaimers	5
Cleaning and Care Information, Fabric Certifications	6

Size Considerations

Mounting Depth Illustrations: Square Cassette	7
Mounting Depth Illustrations: Round Cassette	8
Minimum/Maximum Shade Size	9
Maximum Shade Size: Continuous Loop and Enclosed Loop Lift	10 – 13
Maximum Shade Size: Cordless Lift	14 – 15

Options

Shade Options, Projection Brackets	16
Motorized Lift	17
Cordless Lift	17
Continuous Loop Lift	18
Enclosed Loop Lift	19
Corner Windows, Adjacent Shadings	20
Bay Windows	21

General Information

Shade Operation: All Lift Systems	22
Cordless Lift Product Detail	23
Continuous Loop Lift Product Detail	24
Enclosed Loop Lift Product Detail	25
Color Coordination Charts	26 – 27

PLEASE NOTE:

Photos and illustrations are for inspiration only.
Not all product configurations are available in all countries.

Window blind cords are a strangulation hazard for young children. Consult your dealer or store associate for cordless products, or products with inaccessible cords. Remove this product immediately if a cord longer than 22 cm, or a loop exceeding 44 cm, becomes accessible.

VEUILLEZ NOTER :

Les photos et les illustrations ne sont offertes qu'à titre d'inspiration. Toutes les configurations de produits ne sont pas disponibles dans tous les pays.

Les cordons pour store de fenêtre représentent un risque d'étranglement pour les jeunes enfants. Consultez votre dépositaire ou un associé de magasin pour des produits sans cordon ou des produits dont les cordons ne sont pas accessibles.

Retirez ce produit immédiatement si un cordon mesurant plus de 22 cm de longueur ou une boucle dépassant 44 cm deviennent accessibles.

GRABER®

OCTOBER 2025

Summary of Revisions

OCTOBER 2025	
Page 2	Updated Features table adding square cassette
Page 7	Added Size Consideration page for square cassette
Page 17	Updated Cordless Lift image to include square cassette
Page 18	Updated Continuous Loop Lift image to include square cassette
Page 23	Updated diagram to include square cassette for Cordless Lift product detail
Page 24	Updated diagram to include square cassette for Continuous Loop Lift product detail
Page 25	Updated diagram to include square cassette for Enclosed Loop Lift product detail

Features

Sheer Shades

- Two layers of fabric encase lightweight fabric vanes for effortless light control
- The sheer fabric softens incoming light and helps filter out sun while providing an outside view
- The light filtering option allows soft light to flow through while providing privacy
- Smaller vanes are often better for smaller-sized windows while larger vanes work best for larger windows and have the added advantage of providing more view-through

Features	Benefits
Motorized Lift	<ul style="list-style-type: none"> • Window treatments can be operated from virtually anywhere in the home • Easily operate hard-to-reach or large window coverings • Operate multiple window treatments simultaneously or individually
Cordless Lift	<ul style="list-style-type: none"> • Smooth operation for ideal placement with less pull force • Sleek, aesthetic handle for ease of use • Eliminates cords for safety • Five color coordinating bottomrail and end cap options
Continuous Loop Lift (U.S. ONLY)	<ul style="list-style-type: none"> • Cord and clutch system makes raising and lowering shade easy • Cord remains at same length, regardless of shade position • Choose left or right cord location • Color coordinated cords • Choose from five colors of bottomrail <ul style="list-style-type: none"> • Bottomrail color selected is also used for cassette end caps and cord guide
Enclosed Loop Lift (Canada ONLY)	<ul style="list-style-type: none"> • Set and secure shade in any position • Choose left or right lift location • Three loop cover options to coordinate with your desired style • Choose from five colors of hem bar <ul style="list-style-type: none"> • Bottomrail color selected is also used for cassette end caps
Fabric-Wrapped Cassette	<ul style="list-style-type: none"> • Fabric-wrapped cassette (standard) creates a cohesive appearance in the window • Now comes in 3 sizes and 2 profiles (round and square) to fit more windows. Sizes are: Small – 2.5" (Continuous Loop, Enclosed Loop Lift and Motorized Lift Only), Medium – 3", and Large – 4" (Cordless Only)

Features

Fabric Styles and Information

Style Name	Color Name	Opacity/Privacy	Oeko-Tex® Certified	Fire Retardant Rated	Green Guard
Alpine 2"	Milky Way	Light Filtering	No	No	•
	Quartz		No	No	•
Coastal Waves 2"	Gentle Gray	Light Filtering	•	No	No
	Montauk Slate		•	•	No
	Sea Salt		•	•	No
Deco Diamond 2"	Champagne	Light Filtering	•	No	No
	Elegant Gray		•	No	No
	Frost		•	•	No
	Icelandic		•	•	No
	Mink		•	•	No
	Shale		•	•	No
Deco Diamond 3"	Sultry White	•	•	•	No
	Evening Lustre	Light Filtering	•	No	No
Evening Star 2"	Moonlight	Room Darkening	No	No	•
	Twilight		No	No	•
Glessner 2" Glessner 3"	Cavalry	Light Filtering	•	•	No
	Downtown		•	•	No
	Glacial		•	•	No
	Limestone		•	•	No
	Portico		•	•	No
	Rodeo Drive		•	•	No
	Sandstone		•	•	No
	Stationery		•	•	No
Vellum	•	•	No		
Glessner Sheen 2" Glessner Sheen 3"	Bubbly	Light Filtering	•	No	No
	Gala		•	No	No
	Limousine		•	No	No
	Soiree		•	No	No
Glessner Woven 2" Glessner Woven 3"	Bamboo	Light Filtering	•	•	No
	Champagne		•	•	No
	Everglades		•	•	No
	Silver Mine		•	•	No
Lustrous 1"	Candlelight	Light Filtering	•	No	No
	Mercury		•	No	No
Lustrous 2"	Silversmith	Light Filtering	•	•	No
Marisco 2" Marisco 2¾"	Bechamel	Light Filtering	•	•	No
	Stationery		•	•	No

NOTE: All fabric composition consists of 100% polyester.

*Styles have a 2" vane size with a unique design, limiting the outside view to 1".

Features

Fabric Styles and Information

Style Name	Color Name	Opacity/Privacy	Oeko-Tex® Certified	Fire Retardant Rated	Green Guard
Modern Grid 1"	Chalk	Light Filtering	•	•	No
	Dapper Gray		•	•	No
	Executive Gray		•	No	No
	Lilac		•	•	No
	Ocean Breeze		•	•	No
Roslin 1**	Downtown	Light Filtering	•	•	No
	Stationery		•	•	No
San Simeon 3"	Adirondack	Room Darkening	•	•	No
	Everglades		•	•	No
	Sandstone		•	•	No
	Silver Mine		•	•	No
	Stationery		•	•	No
	Vellum		•	•	No
Starlight 2"	Lunar Light	Light Filtering	•	•	No
	Milky Way		•	•	No
	Moonlit		•	•	No
	Sable		•	•	No
	Stardust		•	•	No
Starlight 3"	Evening Light	Light Filtering	•	No	No
Sun Reflections 2"	Dawn	Light Filtering	•	•	No
	Glisten		•	•	No
	Utopia		•	•	No
Surfside 2"	Driftwood	Light Filtering	•	•	No
	Moonbeam		•	•	No
	Mussel		•	•	No
	Soft Seashell		•	•	No
	White Sand		•	•	No
Surfside 3"	Evening View	Light Filtering	•	No	No
Winchester 1" *	Bechamel	Light Filtering	•	•	No
	Stationery		•	•	No
Winchester Sheen 1" *	Limousine	Light Filtering	•	No	No
	Soiree		•	No	No
	Sunset Strip		•	No	No
Winchester Woven 1" *	Champagne	Light Filtering	•	•	No
	Silver Mine		•	•	No

NOTE: All fabric composition consists of 100% polyester.

*Styles have a 2" vane size with a unique design, limiting the outside view to 1".

Features

Light Control and Privacy

Light Filtering*: Allows light to gently filter through and provides privacy. Images and shapes may be seen through these shades, but details are not visible. Deep fabric colors provide moderate light control, while light colors provide lower light control. **Privacy Level:** Moderate.

Room Darkening*: Allows some light to filter into the room and provides privacy. Objects in a lit room seen through these shades appear as vague shapes. Deep fabric colors darken a room; light colors filter and diffuse bright sunlight. **Privacy Level:** Maximum.

*These fabrics are translucent and their colors may be influenced by changing light conditions. Colors may appear to vary depending upon the time of day and type of lighting, as well as whether the shade is partially or fully open.

Fabric Recommendations

Order all shades for the same room at the same time to ensure color consistency and to minimize dye lot variation. For side-by-side sheer shades, request vane alignment. Requests can be made through customer service at the time of order. Vanes can be aligned to within ¼".

NOTE: Shades must be ordered at the same time with the same fabric color and height. To ensure best results, combined shade width should be 102" or less. Cordless Shades for the same room may have differing raising and lowering speeds.

Light Gap

The fabric width is narrower than the finished shade width of the tube and its components. For optimal light and glare control, outside mount is recommended, or you may add a secondary soft window treatment (drapery or curtain) to hide the light gap on all inside mounts. See chart below for light gap.

Control Type	Control End	Idle End
	Inside Mount (inches)	Inside Mount (inches)
Continuous Loop Lift (U.S. ONLY)	15/16	1 1/16
Enclosed Loop Lift (Canada ONLY)	15/16	1 1/16
Cordless Lift	5/8	5/8
Motorized Lift	1 1/16	3/4



Inside Mount Light Gap

Fabric Disclaimers

Due to the nature of the weaving process, some imperfections in the weave are normal. Fabric appearance can vary based on changing light conditions in the room.

Due to the construction and functionality of sheer shades, the front and back sheer fabric will not form a perfect seal against light leakage.

As with all textiles, the fabric is subject to some variations. Slight wrinkling, puckering, or bowing is inherent to this textile product and should be considered normal, acceptable quality.

Features

Cleaning and Care Information

Regular light dusting with a feather duster, vacuum with low suction, or a hair dryer on a cool temperature.

Professional blind cleaners use a variety of methods to clean blinds and vary in their capabilities. While Springs Window Fashions, LLC knows that many of our window treatments can be safely cleaned using the appropriate ultrasonic or injection/extraction cleaning methods, we cannot guarantee the outcome of any cleaning services provided by an independent company.

For assistance in locating a certified blind cleaner that serves your area, visit blindcleaners.net or contact customer service.

Fabric Certifications

Oeko-Tex® Standard 100 certifies that our fabrics are free of PVC, halogen, lead, formaldehyde, allergenic dyes, pesticides, phenols, heavy metals, and meet all VOC content limits.

Oeko-Tex is a registered trademark of the Oeko-Tex Association.



GREENGUARD Indoor Air Quality Certified® Fabrics:

Many Graber® fabrics have been certified by GREENGUARD Environmental Institute (GEI) to be low chemical- and particle-emitting fabrics, which provides healthier indoor air quality. The process used for certification complies with established indoor air quality standards and is performed by a third party lab. Please see graberblinds.com for more information.



Size Considerations

Mounting Depth Illustrations

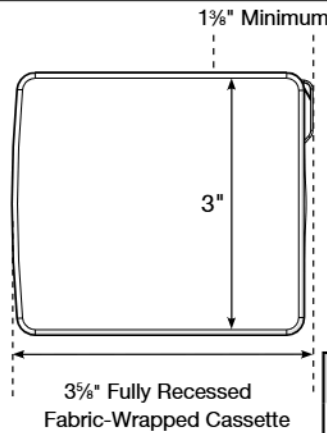
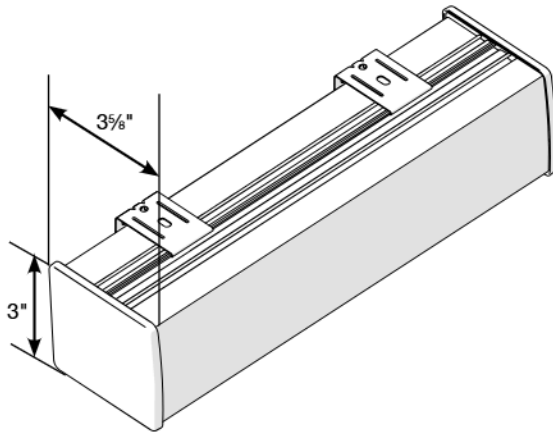
The following diagram illustrates the mounting depth requirements for shades mounted inside window casements.

Continuous Loop, Enclosed Loop, and Motorized Lift includes small cassettes.

Cordless Lift includes Medium and Large cassettes.

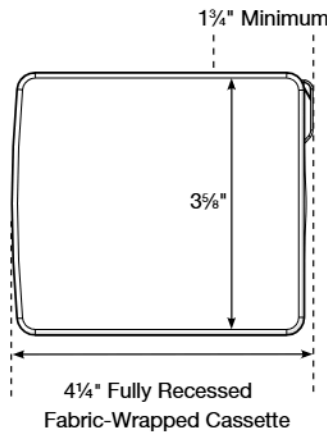
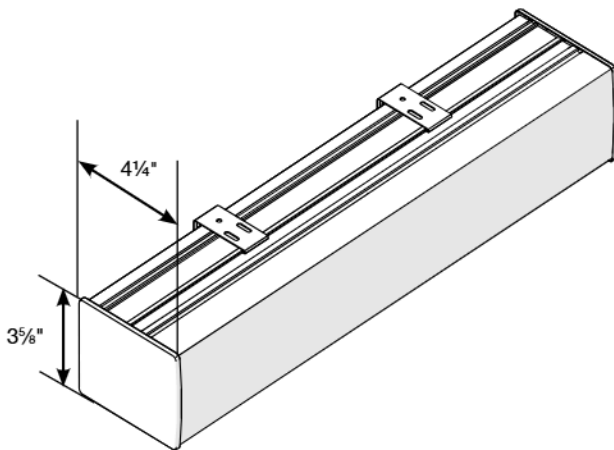
NOTE: Cassette sizes are determined by lift system and specific fabric requirements.

Small Square Cassette (Continuous Loop, Enclosed Loop, and Motorized Lift Only)



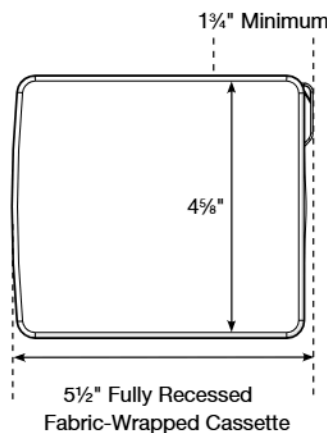
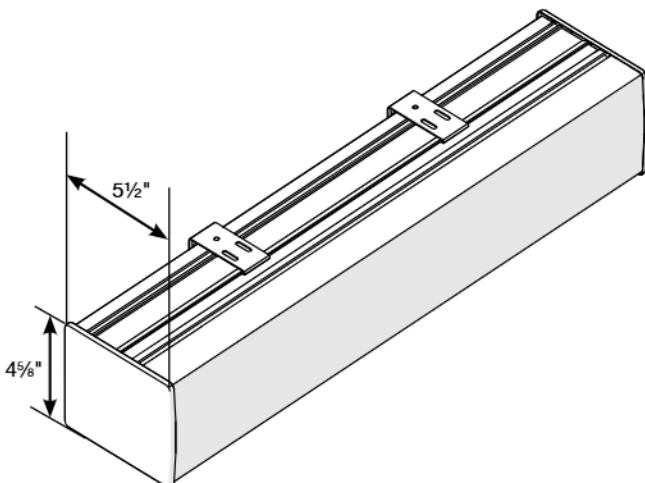
Minimum Mounting Depth	1 1/4"
Flush Mount Depth	3 5/8"

Medium Square Cassette (Cordless Only)



Minimum Mounting Depth	1 1/4"
Flush Mount Depth	4 1/4"

Large Square Cassette (Cordless Only)



Minimum Mounting Depth	1 1/4"
Flush Mount Depth	5 1/2"

Size Considerations

Mounting Depth Illustrations

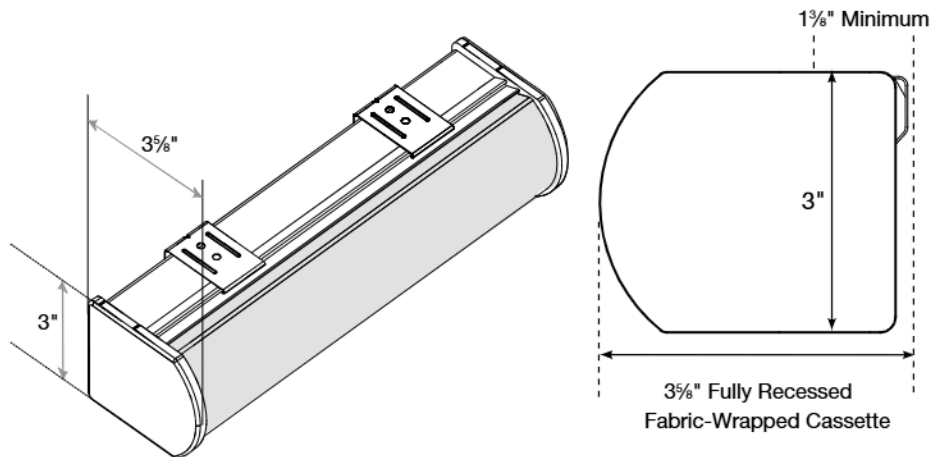
The following diagram illustrates the mounting depth requirements for shades mounted inside window casements.

Continuous Loop, Enclosed Loop, and Motorized Lift include small cassettes.

Cordless Lift includes Medium and Large cassettes.

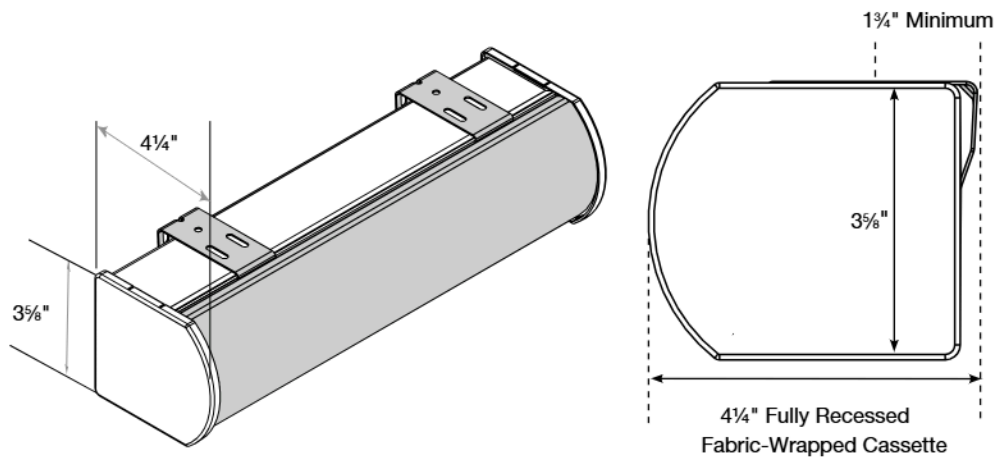
NOTE: Cassette sizes are determined by lift system and specific fabric requirements.

Small Round Cassette (Continuous Loop, Enclosed Loop, and Motorized Lift Only)



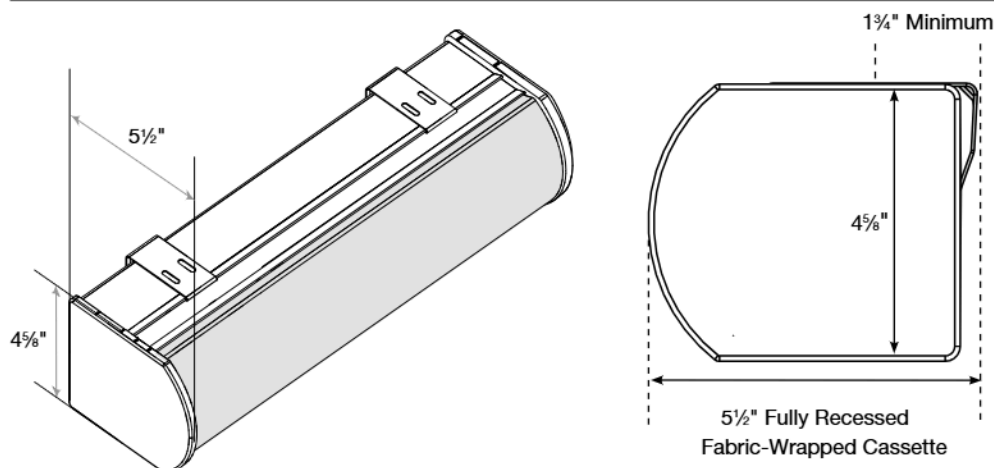
Minimum Mounting Depth	1 3/8"
Flush Mount Depth	3 5/8"

Medium Round Cassette (Cordless Only)



Minimum Mounting Depth	1 1/4"
Flush Mount Depth	4 1/4"

Large Round Cassette (Cordless Only)



Minimum Mounting Depth	1 1/4"
Flush Mount Depth	5 1/2"

Size Considerations

Minimum/Maximum Shade Size

Minimum width: 12" all control types

Minimum height: 12" all control types

See size grids for full details

	Continuous Loop & Enclosed Loop Control				Cordless Loop			
	Width		Height		Width		Height	
	Min (in.)	Max (in.)	Min (in.)	Max (in.)	Min (in.)	Max (in.)	Min (in.)	Max (in.)
Alpine 2"	12	79	12	110	12	102	12	110
Coastal Waves 2"	12	96	12	105	12	102	12	110
Deco Diamond 2"	12	96	12	105	12	102	12	110
Deco Diamond 3"	12	96	12	65	12	102	12	110
Evening Star 2"	12	71	12	85	12	102	12	110
Glessner 2"/Glessner 3"	12	96	12	105	12	102	12	110
Glessner Sheen 2"/ Glessner Sheen 3"	12	98	12	110	12	102	12	110
Glessner Woven 2"/ Glessner Woven 3"	12	96	12	110	12	102	12	110
Lustrous 1"	12	102	12	69	12	102	12	110
Lustrous 2"	12	96	12	105	12	102	12	110
Marisco 2"/ Marisco 2¾"	12	94	12	99	12	102	12	110
Modern Grid 1" 5301	12	102	12	69	12	102	12	110
Modern Grid 1" 5302, 5303, 5304	12	98	12	87	12	102	12	110
Modern Grid 1" 5300	12	94	12	75	12	102	12	110
Roslin 1"	12	94	12	75	12	102	12	110
San Simeon 3"	12	96	12	65	12	102	12	110
Starlight 2"	12	96	12	105	12	102	12	110
Starlight 3"	12	96	12	65	12	102	12	110
Sun Reflections 2"	12	96	12	105	12	102	12	110
Surfside 2"	12	96	12	105	12	102	12	110
Surfside 3"	12	96	12	65	12	102	12	110
Winchester 1"	12	97	12	87	12	102	12	110
Winchester Sheen 1"	12	102	12	69	12	102	12	110
Winchester Woven 1"	12	97	12	87	12	102	12	110

NOTE: Size availability is based on fabric. See size considerations grids for specific maximum shade sizes.

Size Considerations

Maximum Shade Size: Continuous Loop and Enclosed Loop Lift

NOTE: Shaded areas are available for order.

Minimum width: 12"

Minimum height: 12"

For sizes within the next size break, please reach out to customer service or enter order into ordering system to confirm if size is available to order.

Fabric: Alpine 2"

Length up to (in.)	Width up to (in.)													
	24	30	36	42	48	54	60	66	72	78	84	90	96	102
24														
30														
36														
42														
48														
54														
60														
66														
72														
78														
84														
90														
96														
102														
108														
110														

Fabric: Coastal Waves 2" 5280,5282

Length up to (in.)	Width up to (in.)													
	24	30	36	42	48	54	60	66	72	78	84	90	96	102
24														
30														
36														
42														
48														
54														
60														
66														
72														
78														
84														
90														
96														
102														
108														
110														

Fabric: Coastal Waves 2" 5281

Length up to (in.)	Width up to (in.)													
	24	30	36	42	48	54	60	66	72	78	84	90	96	102
24														
30														
36														
42														
48														
54														
60														
66														
72														
78														
84														
90														
96														
102														
108														
110														

Fabric: Deco Diamond 2" 5250, 5251, 5252, 5253, 5254

Length up to (in.)	Width up to (in.)													
	24	30	36	42	48	54	60	66	72	78	84	90	96	102
24														
30														
36														
42														
48														
54														
60														
66														
72														
78														
84														
90														
96														
102														
108														
110														

Fabric: Deco Diamond 2" 5256, 5257

Length up to (in.)	Width up to (in.)													
	24	30	36	42	48	54	60	66	72	78	84	90	96	102
24														
30														
36														
42														
48														
54														
60														
66														
72														
78														
84														
90														
96														
102														
108														
110														

Fabric: Deco Diamond 3"

Length up to (in.)	Width up to (in.)													
	24	30	36	42	48	54	60	66	72	78	84	90	96	102
24														
30														
36														
42														
48														
54														
60														
66														
72														
78														
84														
90														
96														
102														
108														
110														

Fabric: Evening Star 2"

Length up to (in.)	Width up to (in.)													
	24	30	36	42	48	54	60	66	72	78	84	90	96	102
24														
30														
36														
42														
48														
54														
60														
66														
72														
78														
84														
90														
96														
102														
108														
110														

Fabric: Glessner 2" & 3"

Length up to (in.)	Width up to (in.)													
	24	30	36	42	48	54	60	66	72	78	84	90	96	102
24														
30														
36														
42														
48														
54														
60														
66														
72														
78														
84														
90														
96														
102														
108														
110														

Size Considerations

Maximum Shade Size: Continuous Loop and Enclosed Loop Lift

NOTE: Shaded areas are available for order.

Minimum width: 12"

Minimum height: 12"

For sizes within the next size break, please reach out to customer service or enter order into ordering system to confirm if size is available to order.

Fabric: Glessner Sheen 2" and 3"														
Length up to (in.)	Width up to (in.)													
	24	30	36	42	48	54	60	66	72	78	84	90	96	102
24														
30														
36														
42														
48														
54														
60														
66														
72														
78														
84														
90														
96														
102														
108														
110														

Fabric: Glessner Woven 2" and 3"														
Length up to (in.)	Width up to (in.)													
	24	30	36	42	48	54	60	66	72	78	84	90	96	102
24														
30														
36														
42														
48														
54														
60														
66														
72														
78														
84														
90														
96														
102														
108														
110														

Fabric: Lustrous 1"														
Length up to (in.)	Width up to (in.)													
	24	30	36	42	48	54	60	66	72	78	84	90	96	102
24														
30														
36														
42														
48														
54														
60														
66														
72														
78														
84														
90														
96														
102														
108														
110														

Fabric: Lustrous 2"														
Length up to (in.)	Width up to (in.)													
	24	30	36	42	48	54	60	66	72	78	84	90	96	102
24														
30														
36														
42														
48														
54														
60														
66														
72														
78														
84														
90														
96														
102														
108														
110														

Fabric: Marisco 2" & 2 3/4"														
Length up to (in.)	Width up to (in.)													
	24	30	36	42	48	54	60	66	72	78	84	94	96	102
24														
30														
36														
42														
48														
54														
60														
66														
72														
78														
84														
90														
96														
102														
108														
110														

Fabric: Modern Grid 1" 5300														
Length up to (in.)	Width up to (in.)													
	24	30	36	42	48	54	60	66	72	78	84	94	96	102
24														
30														
36														
42														
48														
54														
60														
66														
72														
78														
84														
90														
96														
102														
108														
110														

Fabric: Modern Grid 1" 5301														
Length up to (in.)	Width up to (in.)													
	24	30	36	42	48	54	60	66	72	78	84	94	96	102
24														
30														
36														
42														
48														
54														
60														
66														
72														
78														
84														
90														
96														
102														
108														
110														

Fabric: Modern Grid 1" 5302, 5303, 5304														
Length up to (in.)	Width up to (in.)													
	24	30	36	42	48	54	60	66	72	78	84	90	98	102
24														
30														
36														
42														
48														
54														
60														
66														
72														
78														
84														
90														
96														
102														
108														
110														

Size Considerations

Maximum Shade Size: Continuous Loop and Enclosed Loop Lift

NOTE: Shaded areas are available for order.

Minimum width: 12"

Minimum height: 12"

For sizes within the next size break, please reach out to customer service or enter order into ordering system to confirm if size is available to order.

Fabric: Roslin 1"		Width up to (in.) →													
Length up to (in.) ↓		24	30	36	42	48	54	60	66	72	78	84	94	96	102
24															
30															
36															
42															
48															
54															
60															
66															
72															
78															
84															
90															
96															
102															
108															
110															

Fabric: San Simeon 3"		Width up to (in.) →													
Length up to (in.) ↓		24	30	36	42	48	54	60	66	72	78	84	90	96	102
24															
30															
36															
42															
48															
54															
60															
66															
72															
78															
84															
90															
96															
102															
108															
110															

Fabric: Starlight 2"		Width up to (in.) →													
Length up to (in.) ↓		24	30	36	42	48	54	60	66	72	78	84	90	96	102
24															
30															
36															
42															
48															
54															
60															
66															
72															
78															
84															
90															
96															
102															
108															
110															

Fabric: Starlight 3"		Width up to (in.) →													
Length up to (in.) ↓		24	30	36	42	48	54	60	66	72	78	84	90	96	102
24															
30															
36															
42															
48															
54															
60															
66															
72															
78															
84															
90															
96															
102															
108															
110															

Fabric: Sun Reflections 2"		Width up to (in.) →													
Length up to (in.) ↓		24	30	36	42	48	54	60	66	72	78	84	90	96	102
24															
30															
36															
42															
48															
54															
60															
66															
72															
78															
84															
90															
96															
102															
108															
110															

Fabric: Surfside 2" 5240, 5241, 5242, 5245		Width up to (in.) →													
Length up to (in.) ↓		24	30	36	42	48	54	60	66	72	78	84	90	96	102
24															
30															
36															
42															
48															
54															
60															
66															
72															
78															
84															
90															
96															
102															
108															
110															

Fabric: Surfside 2" 5243		Width up to (in.) →													
Length up to (in.) ↓		24	30	36	42	48	54	60	66	72	78	84	90	96	102
24															
30															
36															
42															
48															
54															
60															
66															
72															
78															
84															
90															
96															
102															
108															
110															

Fabric: Surfside 3"		Width up to (in.) →													
Length up to (in.) ↓		24	30	36	42	48	54	60	66	72	78	84	90	96	102
24															
30															
36															
42															
48															
54															
60															
66															
72															
78															
84															
90															
96															
102															
108															
110															

Size Considerations

Maximum Shade Size: Continuous Loop and Enclosed Loop Lift

NOTE: Shaded areas are available for order.

Minimum width: 12"

Minimum height: 12"

For sizes within the next size break, please reach out to customer service or enter order into ordering system to confirm if size is available to order.

Fabric: Winchester 1"														
Length up to (in.)	Width up to (in.)													
	24	30	36	42	48	54	60	66	72	78	84	90	97	102
24														
30														
36														
42														
48														
54														
60														
66														
72														
78														
84														
90														
96														
102														
108														
110														

Fabric: Winchester Sheen 1"														
Length up to (in.)	Width up to (in.)													
	24	30	36	42	48	54	60	66	72	78	84	90	96	102
24														
30														
36														
42														
48														
54														
60														
66														
72														
78														
84														
90														
96														
102														
108														
110														

Fabric: Winchester Woven 1"														
Length up to (in.)	Width up to (in.)													
	24	30	36	42	48	54	60	66	72	78	84	90	97	102
24														
30														
36														
42														
48														
54														
60														
66														
72														
78														
84														
90														
96														
102														
108														
110														

Size Considerations

Maximum Shade Size: Cordless Lift

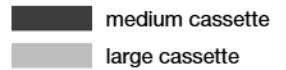
NOTE: Shaded areas are available for order. Cordless shade speed may vary by shade size and fabric selected.

Minimum width: 12"

Minimum height: 12"

For sizes within the next size break, please reach out to customer service or enter order into ordering system to confirm if size is available to order.

Only one cassette size option is available based on size of shade due to risk of re-roll if cassette is too large.



Fabric: Coastal Waves, Deco Diamond 2", Glessner 2", Glessner Sheen 2", Glessner Woven 2", Glessner 3" Sheen, Glessner 3" Woven, Lustrous 1" and 2", Modern Grid 1" (5300), Starlight 2", Sun Reflections, Surfside 2", Winchester 1", Winchester Woven 1", Winchester Sheen 1"

Length up to (in.)	Width up to (in.)													
	24	30	36	42	48	54	60	66	72	78	84	90	96	102
24														
30														
36														
42														
48														
54														
60														
66														
72														
78														
84														
90														
96														
102														
110														

Fabric: Glessner 3" (6111,6118, 6109)

Length up to (in.)	Width up to (in.)													
	24	30	36	42	48	54	60	66	72	78	84	90	96	102
24														
30														
36														
42														
48														
54														
60														
66														
72														
78														
84														
90														
92														
102														
110														

Fabric: Evening Star 2", Starlight 3", Surfside 3"

Length up to (in.)	Width up to (in.)													
	24	30	36	42	48	54	60	66	72	78	84	90	96	102
24														
30														
36														
42														
48														
54														
60														
66														
72														
78														
84														
90														
96														
102														
110														

Fabric: Marisco 2 and 2 3/4"

Length up to (in.)	Width up to (in.)													
	24	30	36	42	48	54	60	66	72	78	84	90	96	102
24														
30														
36														
42														
48														
54														
60														
66														
72														
78														
84														
90														
96														
102														
110														

Fabric: Alpine

Length up to (in.)	Width up to (in.)													
	24	30	36	42	48	54	60	66	72	78	84	90	96	102
24														
30														
36														
42														
48														
54														
60														
66														
72														
78														
84														
90														
96														
102														
110														

Fabric: Modern Grid 1" (5301, 5302, 5303)

Length up to (in.)	Width up to (in.)													
	24	30	36	42	48	54	60	66	72	78	84	90	96	102
24														
30														
36														
42														
48														
54														
60														
66														
72														
78														
84														
90														
96														
102														
110														

Size Considerations

Maximum Shade Size: Cordless Lift

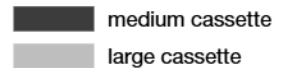
NOTE: Shaded areas are available for order. Cordless shade speed may vary by shade size and fabric selected.

Minimum width: 12"

Minimum height: 12"

For sizes within the next size break, please reach out to customer service or enter order into ordering system to confirm if size is available to order.

Only one cassette size option is available based on size of shade due to risk of re-roll if cassette is too large.



Fabric: Surfside 3", Deco Diamond 3"

Length up to (in.)	Width up to (in.)													
	24	30	36	42	48	54	60	66	72	78	84	90	96	102
24														
30														
36														
42														
48														
54														
60														
66														
72														
78														
84														
90														
96														
102														
110														

Fabric: Modern Grid 1" (5300)

Length up to (in.)	Width up to (in.)													
	24	30	36	42	48	54	60	66	72	78	84	90	96	102
24														
30														
36														
42														
48														
54														
60														
66														
72														
78														
84														
90														
96														
100														
110														

Fabric: Starlight 3", San simeon 3"

Length up to (in.)	Width up to (in.)													
	24	30	36	42	48	54	60	66	72	78	84	90	96	102
24														
30														
36														
42														
48														
54														
60														
66														
72														
78														
84														
90														
92														
96														
102														
110														

Fabric: Modern Grid 1" (5304)

Length up to (in.)	Width up to (in.)													
	24	30	36	42	48	54	60	66	72	78	84	90	96	102
24														
30														
36														
42														
48														
54														
60														
66														
72														
78														
84														
90														
96														
102														
108														
110														

Fabric: Roslin 1"

Length up to (in.)	Width up to (in.)													
	24	30	36	42	48	54	60	66	72	78	84	90	96	102
24														
30														
36														
42														
48														
54														
60														
66														
72														
78														
84														
90														
96														
102														
110														

Options

Shade Options (for surcharges and pricing refer to price charts)

Below is a list of options for sheer shades. All options are available in all styles and colors. See detailed descriptions on the following pages.

Control Type Options

- Continuous Loop Lift (U.S. ONLY)
- Motorized Lift (see motorization product information guide)

Shade Options—No Charge

- Bottomrail and end cap colors
- Bay and corner windows
- Cord length (must specify different length)
- Cord location
- Projection brackets 3¼" and 4"
 - 3¼" projection brackets add up to 2⅞" extension from wall
 - 4" projection brackets add up to 2⅞" extension from wall

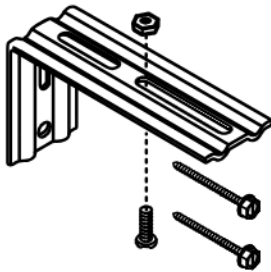
Shade Options—Surcharge

- Cordless Lift
- Enclosed Continuous Loop Lift (Canada ONLY)
- Motorization (see motorization product information guide)
- Palladian window shelf (see cornice, valance, and palladian window shelf product information guide)

Cassette Profiles—No Charge

- Round
- Square

Projection Brackets



- No charge
- Available with Continuous Loop Lift and Motorized Lift
- Two sizes: 3¼" and 4"
- 3¼" projection brackets add up to 2⅞" extension from wall
- 4" projection brackets add up to 2⅞" extension from wall

Options

Motorized Lift



- See motorization product information guide for accessories, additional options, sizing, and pricing
- Down position will have vanes open
- Allows for easy operation of hard-to-reach or large window coverings
- Efficiently manages energy (heat gain and loss)
- Motorized lift shades are cordless and are a safer choice for homes with children or pets
- Low-voltage motorization requires no costly electrical hardwiring
- Available with multiple power and control options
- Motor is located on the left or right side (right side is standard)

NOTE: Motorization components and accessories have a five-year limited warranty, excluding batteries.

Cordless Lift



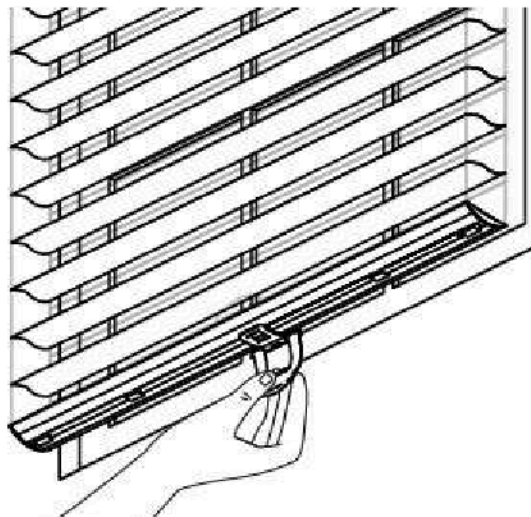
- Requires less pull force for smooth operation from ideal placement
- Quiet operation
- Sleek, aesthetic handle for ease of use
- Precise placement with less bounce back
- Choose from five colors of hem bar
 - Bottomrail color selected is also used for cassette end caps
- Shade is spring-loaded on each end and will self-center when installed
- Outside mount is recommended for maximum light control
- For surcharge, see price charts

Shade Operation

- To lower your shade, hook fingers under bottomrail to grab handle. Pull down to desired length and release.
- To open vanes, grab handle and pull slightly towards you, lowering it until shade is at window sill height. This will cause vanes to open.
NOTE: Vanes cannot be opened until shade is completely down.
- To close vanes and raise shades, ensure shades are fully extended, then pull down on handle slightly. This will cause shade to go up on its own.

Trouble Shooting:

If shade becomes stuck with open vanes, gently pull the shade down and towards you while holding the handle to reset the lift mechanism.



NOTE: Be careful not to grab delicate fabric and always pull shade gently to avoid damage.

Options

Continuous Loop Lift (U.S. ONLY)

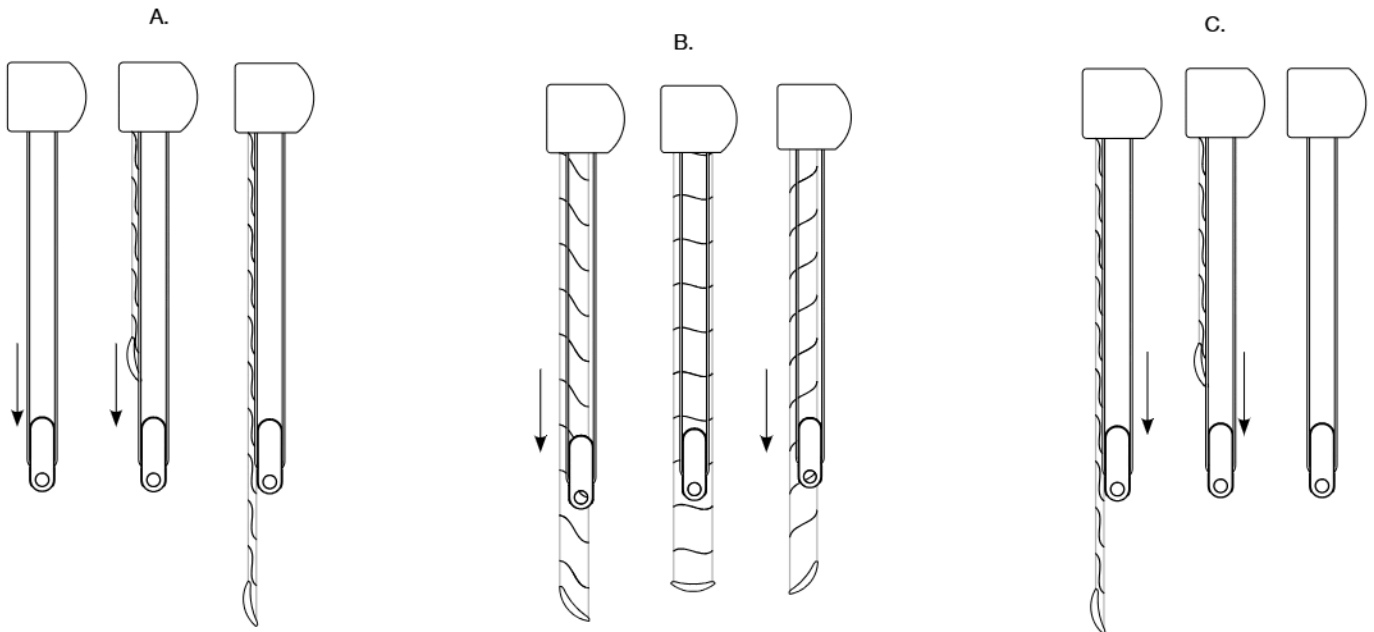


- Cord loop and clutch system makes raising and lowering shade easy
- Special cord loop length must be requested at time of order
- Cord remains at same length regardless of shade position
- Color coordinated cord loop and cord guide
- Safety cord guide provides the ability to keep the cord out of the reach of children and pets to enhance safety
- Choose left or right cord location
- Outside mount is recommended for maximum light control
- Tensioner is available in white, cream or clear

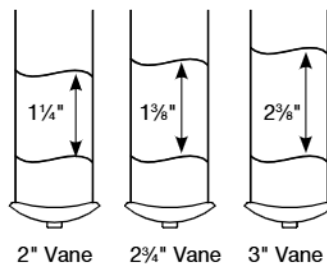
NOTE: Cord tensioner must be installed to operate shade

Shade Operation

- To lower, pull down on the back cord.
- Continue to pull on the back cord when fully lowered to open the vanes. Over-rotation will occur if you continue to pull when the vanes are fully opened. The bottomrail will face into the room if over-rotated.
- To close, pull the front cord. Continue to pull on the front cord to raise the shade.

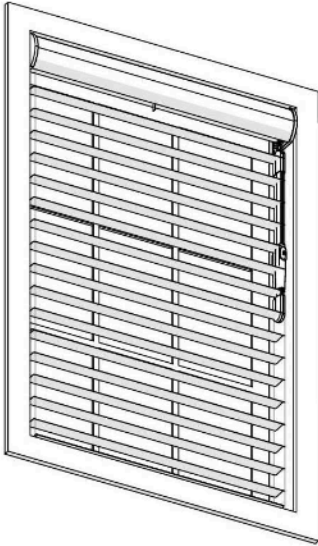


Open Vanes



Options

Enclosed Loop Lift (Canada ONLY)

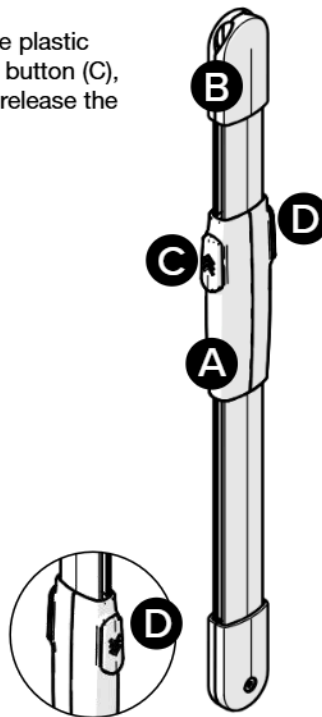


- Smooth and simple operation
- Set and secure shade in any position
- Simply hold button of the direction you wish shade to move on handle, then pull handle down the length of the cord-cover to change shade position
- Elegant, appearance without long, dangling cords
- Increased safety for children and pets
- Health Canada compliant
- Available in a full range of sizes for any window: 18, 24, 36, 48, 60, 72, 84 inches
- Cover available in White, Cream and Gray
- Outside mount is recommended for maximum light control

NOTE: Enclosed Loop Lift must be installed to operate shade

Shade Operation

- To raise your shade using the enclosed loop lift system, move the plastic grip (A) to the top of the loop cover (B). Hold down the up-arrow button (C), while simultaneously pulling the grip down. Once at the bottom, release the button, reset the grip at the top and repeat as necessary.
- To lower your shade, hold the down-arrow button (D) and follow the same instructions.
- Be sure to only push one button at a time.



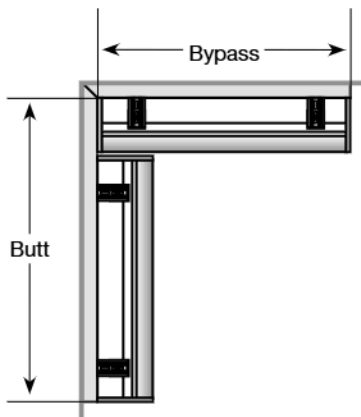
Options

Corner Windows



Shades on Corner Windows

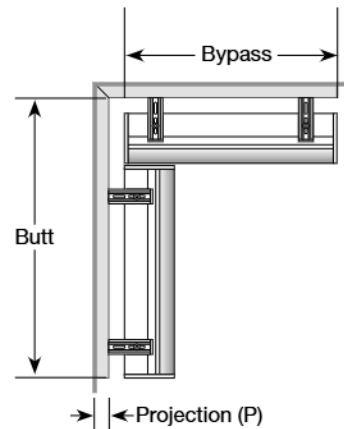
- No charge
- Made as individual shades
- Each shade will have its own control; we recommend opposite corners
- Indicate for each shade whether butt or bypass
- Bypass shade is mounted into the corner; butt shade is butted to the other shade
- Manufacturer will take appropriate deductions for proper fit; DO NOT order as a corner shade if you do not want manufacturer to take deductions



Measuring Information

Mounting on a Wall or Molding:

Measure the width of each window from the corner on the mounting surface (molding or wall) to the point you would like to cover.



Mounting Above the Molding:

Measure the width of each window from the corner on the mounting surface to the point you would like to cover.

Projection measurement is the distance needed to clear any molding or obstructions that the shade will be mounted above.

NOTE: The projection (P) distance is needed to correctly calculate deductions for installations where the shades will use shims or projection brackets to clear molding. All projection distances must match for correct deductions to be calculated.

Adjacent Shadings

To cover wide window openings, window shadings may be installed end to end so that the cassette headrails touch. The gap between the fabric panels of the adjacent shading varies by the control placement as shown in the chart.

Control Placement for Adjacent Shades				
Control Placement		Gap		
Left Shade Control	Right Shade Control	Continuous Loop & Enclosed Loop Lift (inches)	Cordless Lift (inches)	Motorized Lift (inches)
Right	Right	1 $\frac{1}{8}$	1 $\frac{1}{4}$	1 $\frac{1}{16}$
Left	Left	1 $\frac{1}{8}$	1 $\frac{1}{4}$	1 $\frac{1}{16}$
Right	Left	1 $\frac{1}{8}$	1 $\frac{1}{4}$	2
Left	Right	1 $\frac{1}{8}$	1 $\frac{1}{4}$	1 $\frac{1}{8}$

Side-by-Side Alignment

Vane alignment to within $\frac{1}{4}$ " is available upon request only for shades ordered at the same time with the same fabric color and height. Add note in special instructions. To ensure best results, combined shade width should be 102" or less.

Options

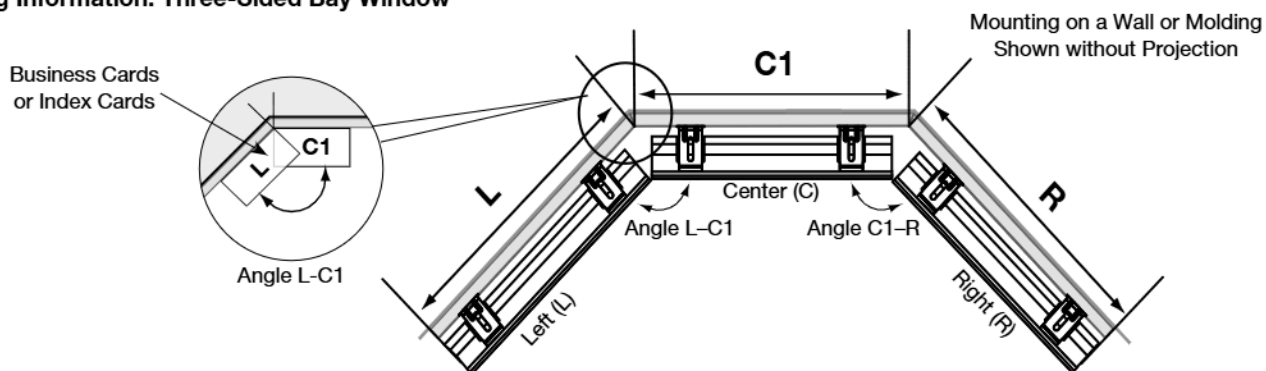
Bay Windows



Shades on Bay Windows

- No charge
- Made as individual shades
- Each section will have its own control
- Manufacturer will take appropriate deductions for proper fit; DO NOT order as a bay window shade if you do not want manufacturer to take deductions

Measuring Information: Three-Sided Bay Window

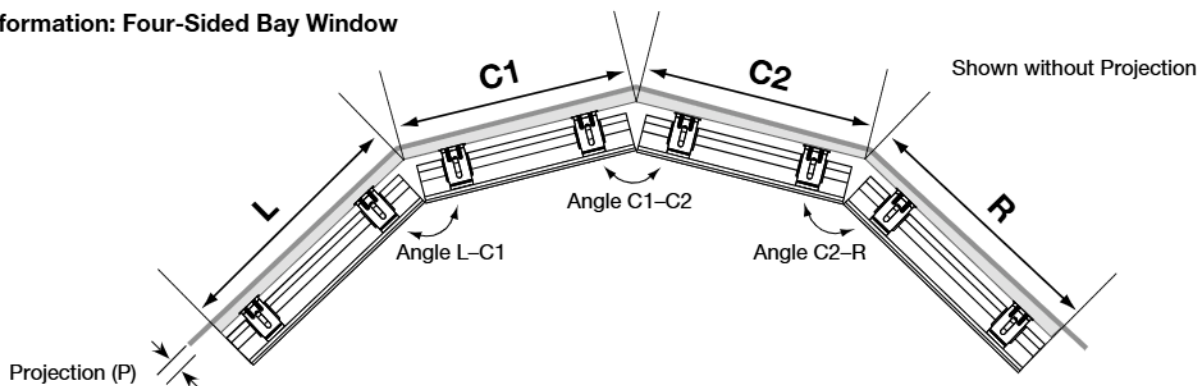


Measure:

- L and R:** Width of each side window from the corners on the mounting surface to the point you would like to cover.
- C1:** Width of the center window on the mounting surface from corner to corner.

- Angle L-C1:** Angle between the (L) and (C1) windows.
- Angle C1-R:** Angle between the (C1) and (R) windows.
- Projection:** If needed: the depth of the trim or molding the shade will be mounted above.

Measuring Information: Four-Sided Bay Window



- L and R:** Width of each side window from the corners on the mounting surface to the point you would like to cover.
- C1, C2:** Width of each center window on the mounting surface from corner to corner.

- Angle L-C1:** Angle between the (L) and (C1) windows.
- Angle C1-C2:** Angle between the (C1) and (C2) windows.
- Angle C2-R:** Angle between the (C2) and (R) windows.
- Projection (P):** If needed: the depth of the trim or molding the shade will be mounted above.

NOTE: The projection (P) distance is needed to correctly calculate deductions for installations where the shades will use shims or projection brackets to clear trim or molding. All projection distances must match for correct deductions to be calculated. For additional windows on bays with up to five sides continue with number progression for center shade sizes (C1, C2, C3, ...) and angles (angle C1-C2, angle C2-C3, ...) as needed. Measure each bay angle using a protractor or angle finder or use two business cards in each bay corner as illustrated above, trace on paper, and fax to customer service.

The angle to use between adjacent center bay windows along a straight section of wall is 180° (degrees).

General Information

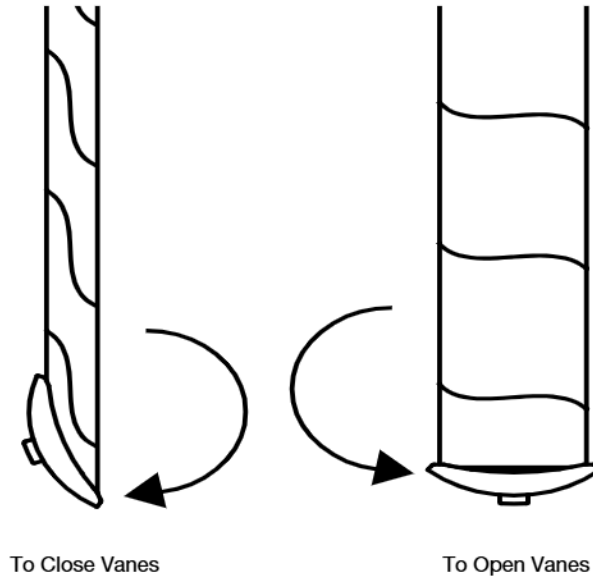
Shade Operation: All Lift Systems

Closed Vanes

When closed, the vanes of sheer shades overlap providing privacy. Sheer shades may have light gaps towards the bottom of the shade.

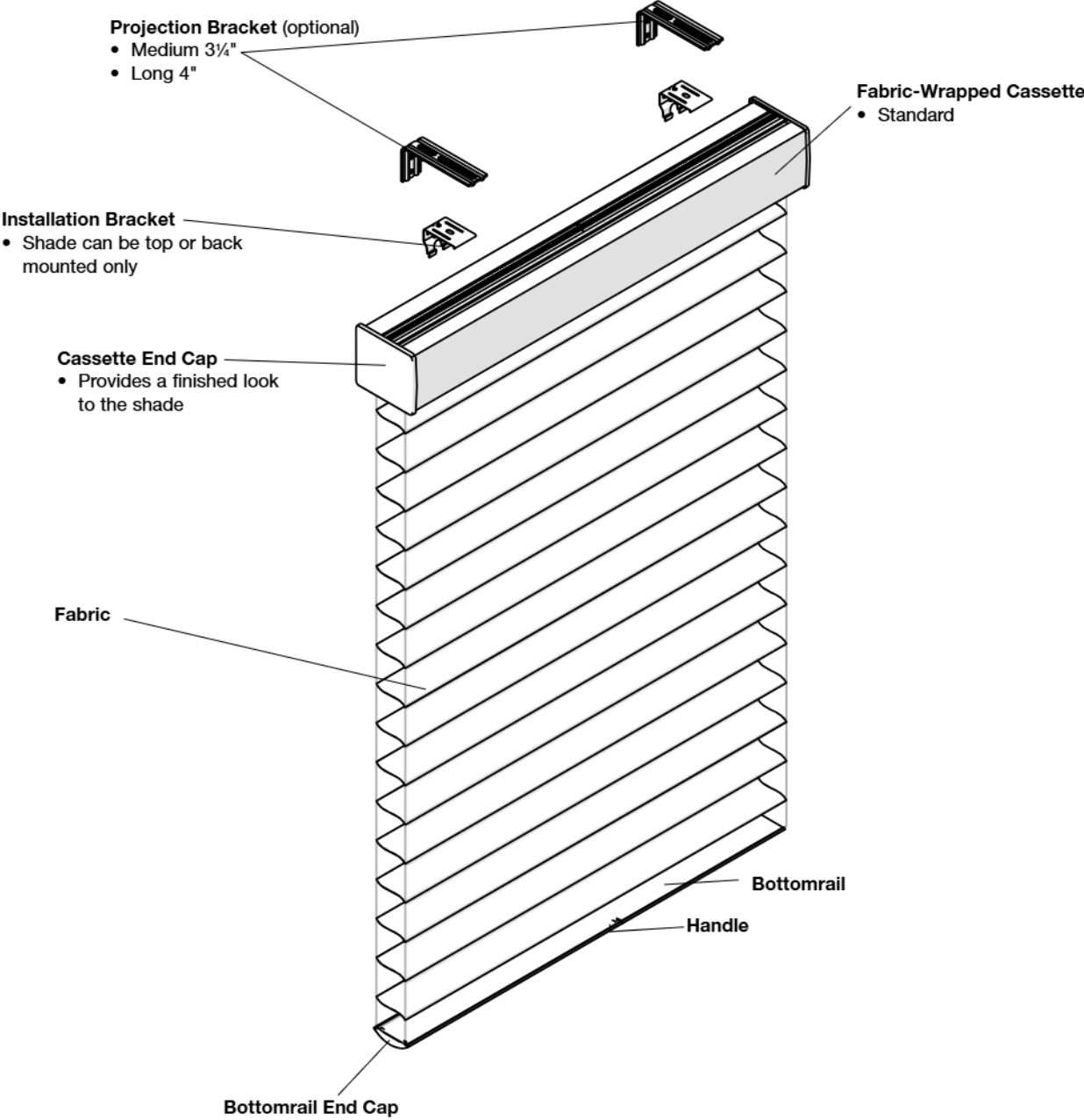
Importance of Correct Shade Height

The bottomrail pivots when the vanes are opened and closed as shown below. The proper height measurement is critical in applications where the window shading closes just above a window sill or floor. If the window shading is too long and the bottomrail rests on the sill or floor when it is fully lowered, the rail cannot pivot freely and the vanes cannot be opened properly.



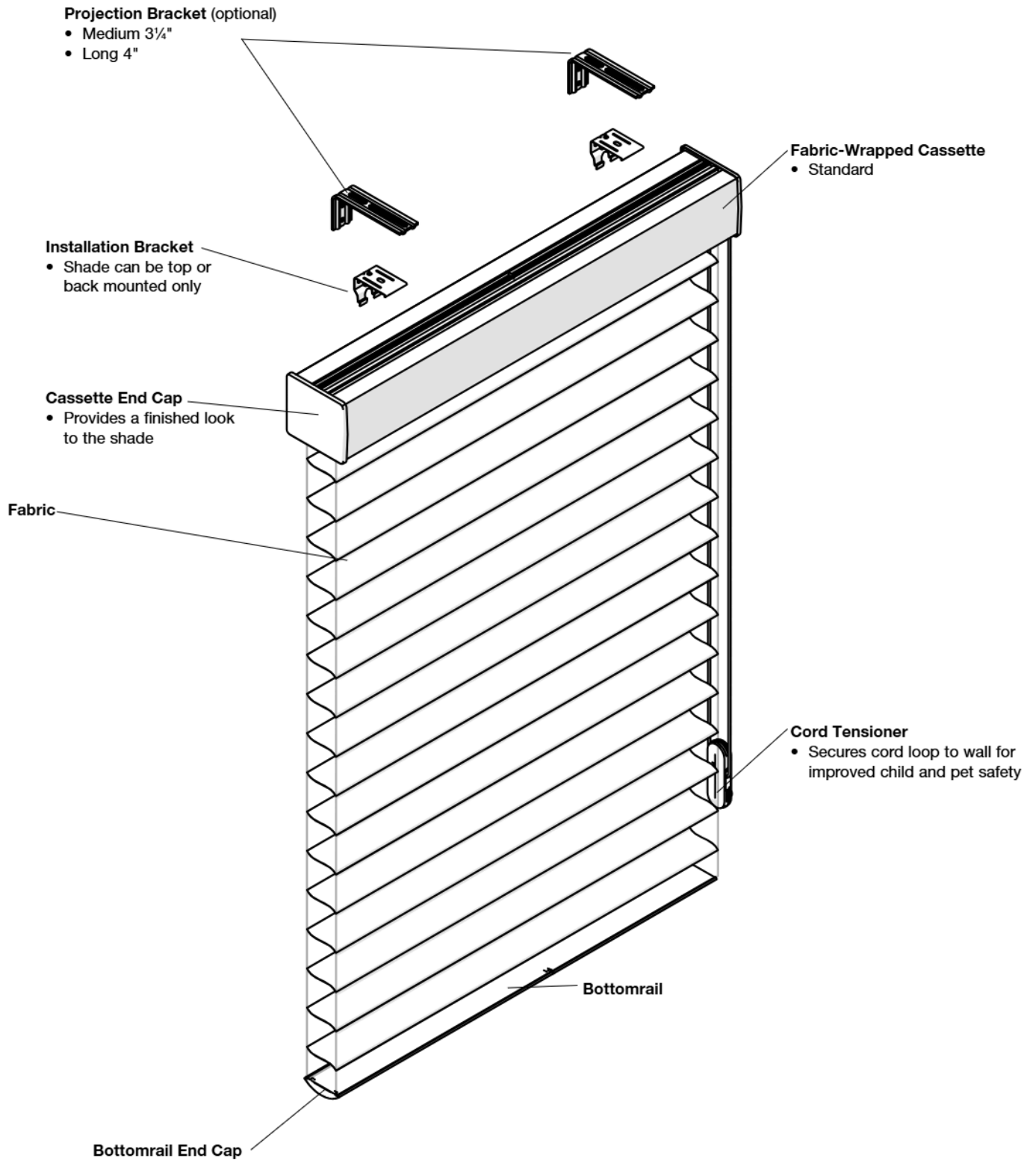
General Information

Cordless Lift Product Detail



General Information

Continuous Loop Lift Product Detail (U.S. ONLY)



General Information

Enclosed Loop Lift Product Detail (Canada ONLY)

Projection Bracket (optional)

- Medium 3 1/4"
- Long 4"



Fabric-Wrapped Cassette

- Standard

Installation Bracket

- Shade can be top or back mounted only



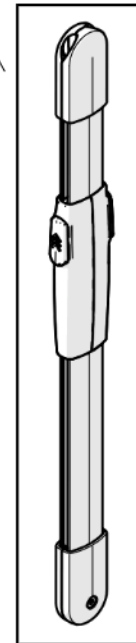
Cassette End Cap

- Provides a finished look to the shade

Fabric

Enclosed Loop Lift Cord Control

- Length remains the same regardless of shade position



- For Canadian orders, shrouded continuous loop lift is white, cream, or gray

Bottomrail

Bottomrail End Cap

General Information

Color Coordination Charts

Color coordination is shown for informational purposes only.

Style	Color Name	Bottomrail Color	Continuous Loop Lift
Alpine 2"	Milky Way	Cream	Bamboo
	Quartz	Classic Gray	Smokey Gray
Coastal Waves 2"	Gentle Gray	Classic Gray	Smokey Gray
	Montauk Slate	Classic Gray	Smokey Gray
	Sea Salt	White Satin	Bamboo
Deco Diamond 2"	Champagne	Cream	Bamboo
	Elegant Gray	White Satin	Bamboo
	Frost	White Satin	Bamboo
	Icelandic	White Satin	Bamboo
	Mink	Classic Gray	Smokey Gray
	Shale	Classic Gray	Smokey Gray
	Sultry White	White Satin	Bamboo
Deco Diamond 3"	Evening Lustre	White Satin	Bamboo
Evening Star 2"	Moonlight	Classic Gray	Smokey Gray
	Twilight	Classic Gray	Smokey Gray
Glessner 2"/ Glessner 3"	Cavalry	Classic Gray	Smokey Gray
	Downtown	Classic Gray	Smokey Gray
	Glacial	White Satin	Bamboo
	Limestone	Sand	Tuscany
	Portico	White Satin	Bamboo
	Rodeo Drive	White Satin	Bamboo
	Sandstone	Cream	Tuscany
	Stationery	White Satin	Bamboo
	Vellum	Cream	Bamboo
	Glessner Sheen 2"/ Glessner Sheen 3"	Bubbly	Cream
Gala		Cream	Bamboo
Limousine		Classic Gray	Smokey Gray
Soiree		White Satin	Bamboo
Glessner Woven 2"/ Glessner Woven 3"	Bamboo	Cream	Tuscany
	Champagne	Sand	Tuscany
	Everglades	Coffee	Cocoa
	Silver Mine	Classic Gray	Smokey Gray
Lustrous 1"	Candlelight	White Satin	Bamboo
	Mercury	Classic Gray	Smokey Gray
Lustrous 2"	Silversmith	Classic Gray	Smokey Gray
Marisco 2"/ Marisco 2¾"	Bechamel	Cream	Bamboo
	Stationery	White Satin	Bamboo
Modern Grid 1"	Chalk	White Satin	Bamboo
	Dapper Gray	Classic Gray	Smokey Gray
	Executive Gray	Classic Gray	Smokey Gray
	Lilac	White Satin	Bamboo
	Ocean Breeze	White Satin	Bamboo
Roslin 1"	Downtown	Classic Gray	Smokey Gray
	Stationery	White Satin	Bamboo
San Simeon 3"	Adirondack	Coffee	Cocoa
	Everglades	Coffee	Cocoa
	Sandstone	Sand	Tuscany
	Silver Mine	Classic Gray	Smokey Gray
	Stationery	White Satin	Bamboo
	Vellum	Cream	Bamboo

NOTE: Certain components are only available in limited colors. For Canadian orders, cord color is Bamboo only and shrouded continuous loop lift is opaque.

General Information

Color Coordination Charts (continued)

Color coordination is shown for informational purposes only.

Style	Color Name	Bottomrail Color	Continuous Loop Lift
Starlight 2"	Lunar Light	Cream	Bamboo
	Milky Way	White Satin	Bamboo
	Moonlit	White Satin	Bamboo
	Sable	Classic Gray	Smokey Gray
	Stardust	White Satin	Bamboo
Starlight 3"	Evening Light	Classic Gray	Smokey Gray
Sun Reflections 2"	Dawn	Classic Gray	Smokey Gray
	Glisten	Classic Gray	Smokey Gray
	Utopia	White Satin	Bamboo
Surfside 2"	Driftwood	Cream	Tuscany
	Moonbeam	White Satin	Bamboo
	Mussel	Classic Gray	Smokey Gray
	Soft Seashell	Cream	Bamboo
	White Sand	White Satin	Bamboo
Surfside 3"	Evening View	Classic Gray	Smokey Gray
Winchester 1"	Bechamel	Cream	Bamboo
	Stationery	White Satin	Bamboo
	Limousine	Classic Gray	Smokey Gray
Winchester Sheen 1"	Soiree	White Satin	Bamboo
	Sunset Strip	Classic Gray	Smokey Gray
	Champagne	Sand	Tuscany
Winchester Woven 1"	Silver Mine	Classic Gray	Smokey Gray

Bottomrail Colors
Classic Gray
Coffee
Cream
Sand
White Satin

Continuous Loop Lift Cord Colors
Bamboo
Cocoa
Smokey Gray
Tuscany

Continuous Loop Lift Lengths (inches)
18
24
36
48
60
72
84

Cord Tensioner Colors (U.S. Only)
White
Cream
Clear

Canada ONLY
Enclosed Loop Lift Colors
White
Gray
Cream
*Consumer choice

Canada ONLY
Enclosed Loop Lift Lengths (inches)
18
24
36
48
60
72
84

NOTE: Certain components are only available in limited colors. Tensioner color must be selected for Continuous Loop Lift.

Control Lengths for Enclosed Loop	
Finished Blind Height (inches)	Enclosed Loop Cover Length (inches)
36	18
48	24
60	36
72	48
84	60
96	72
108≥	84

NOTE: Enclosed Loop length in relation to the final shade length will vary between +/- 3 to 6 in. based on size of shade.